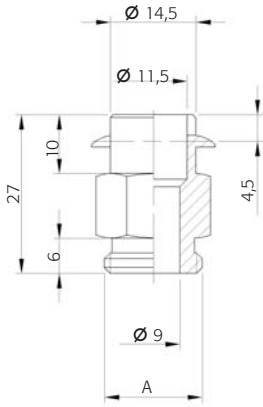


Nippel

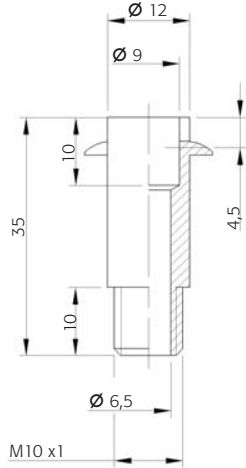
Nipple
Raccord
Raccordo

Nippel N4 Ø 14,5 mm
Nipple N4 Ø 14,5 mm
Raccord N4 Ø 14,5 mm
Raccordo N4 Ø 14,5 mm

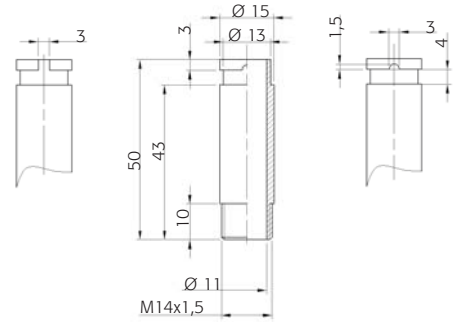


A: G1/4
G3/8
M14x1,5

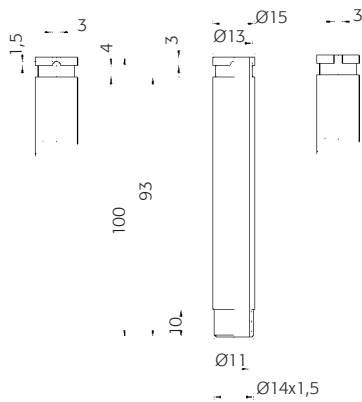
Nippel N6/12 L35 mm M10x1
Nipple N6/12 L35 mm M10x1
Raccord N6/12 L35 mm M10x1
Raccordo N6/12 L35 mm M10x1



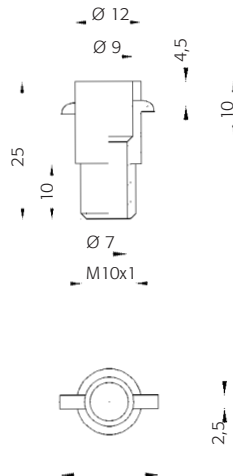
Nippel N11 L 50 mm M14x1,5
Nipple N11 L 50 mm M14x1,5
Raccord N11 L 50 mm M14x1,5
Raccordo N11 L 50 mm M14x1,5



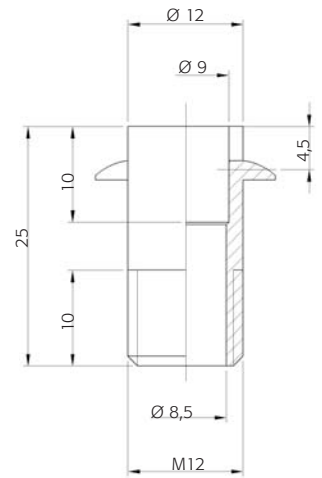
Nippel N11 L 100 mm M14x1,5
Nipple N11 L 100 mm M14x1,5
Raccord N11 L 100 mm M14x1,5
Raccordo N11 L 100 mm M14x1,5



Nippel N16 Ø 12 mm M10x1
Nipple N16 Ø 12 mm M10x1
Raccord N16 Ø 12 mm M10x1
Raccordo N16 Ø 12 mm M10x1



Nippel N16 Ø 12 mm M12
Nipple N16 Ø 12 mm M12
Raccord N16 Ø 12 mm M12
Raccordo N16 Ø 12 mm M12



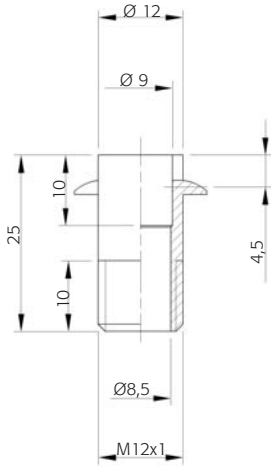
Nippel (Fortsetzung)

Nipple (continuation)

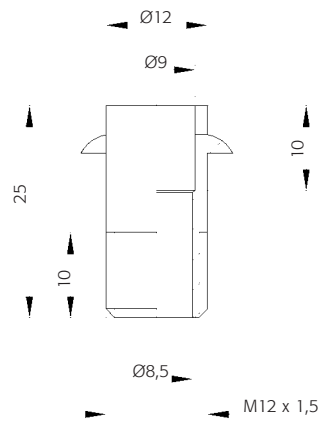
Raccord (suite)

Raccordo (seguito)

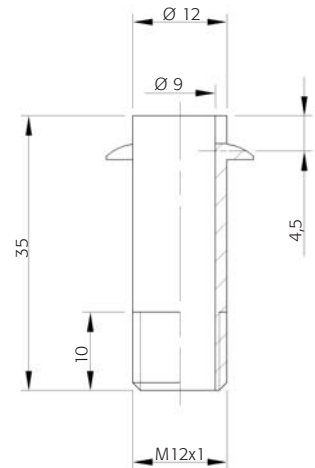
Nippel N16 Ø 12 mm L 25 mm M12x1
 Nipple N16 Ø 12 mm L 25 mm M12x1
 Raccord N16 Ø 12 mm L 25 mm M12x1
 Raccordo N16 Ø 12 mm L 25 mm M12x1



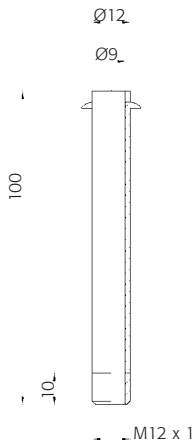
Nippel N16 Ø 12 mm L 25 mm M12x1,5
 Nipple N16 Ø 12 mm L 25 mm M12x1,5
 Raccord N16 Ø 12 mm L 25 mm M12x1,5
 Raccordo N16 Ø 12 mm L 25 mm M12x1,5



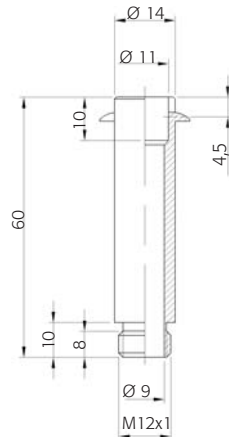
Nippel N20/21 Ø 12 mm L 35 mm M12x1
 Nipple N20/21 Ø 12 mm L 35 mm M12x1
 Raccord N20/21 Ø 12 mm L 35 mm M12x1
 Raccordo N20/21 Ø 12 mm L 35 mm M12x1



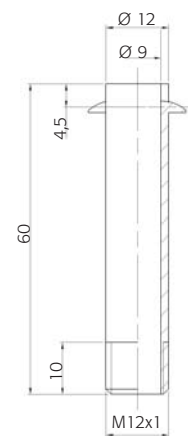
Nippel N20/21 Ø 12 mm L 100 mm M12x1
 Nipple N20/21 Ø 12 mm L 100 mm M12x1
 Raccord N20/21 Ø 12 mm L 100 mm M12x1
 Raccordo N20/21 Ø 12 mm L 100 mm M12x1



Nippel N20/21 Ø 14 mm M12x1
 Nipple N20/21 Ø 14 mm M12x1
 Raccord N20/21 Ø 14 mm M12x1
 Raccordo N20/21 Ø 14 mm M12x1



Nippel EN30 Ø 12 mm L60 mm M12x1
 Nipple EN30 Ø 12 mm L 60 mm M12x1
 Raccord EN30 Ø 12 mm L 60 mm M12x1
 Raccordo EN30 Ø 12 mm L 60 mm M12x1



Ihne & Tesch GmbH · D-58507 Lüdenscheid · Telefon +49(0)23 51/6 66-0 · Keller, Ihne & Tesch KG · D-68623 Lampertheim · Telefon +49(0)62 41/9 88 08-0
 Ihne & Tesch GmbH · D-90441 Nürnberg · Telefon +49(0)9 11/9 66 78-0 · Keller, Ihne & Tesch GmbH · A-3350 Haag · Telefon +43(0)74 34/4 38 80
 Celtic S.A.R.L. · F-77290 Mitry-Mory · Téléphone +33(0)1 60 21 21 80 · K.I.T. Electroheat Limited · UK-Tonypandy CF40 2BA · Phone +44(0)1443/442176

Nippel (Fortsetzung)

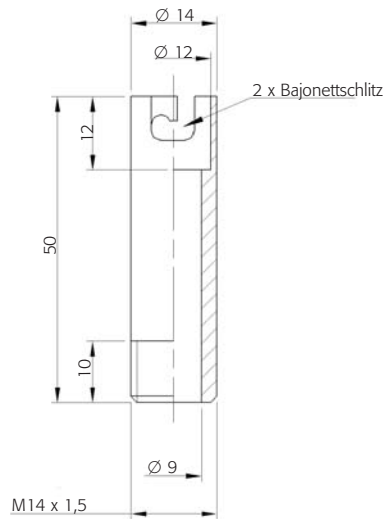
Nipple (continuation)

Raccord (suite)

Raccordo (seguito)

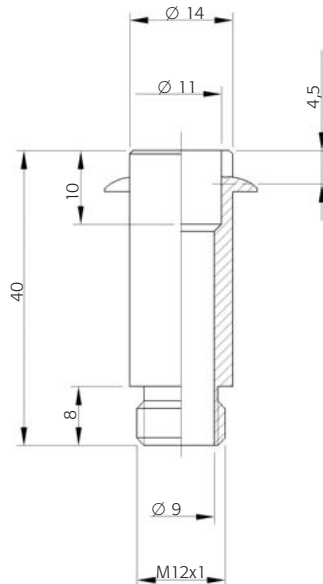
Nippel EN31 Ø 9 mm L 50 mm M14x1,5

Nipple EN31 Ø 9 mm L 50 mm M14x1,5
Raccord EN31 Ø 9 mm L 50 mm M14x1,5
Raccordo EN31 Ø 9 mm L 50 mm M14x1,5



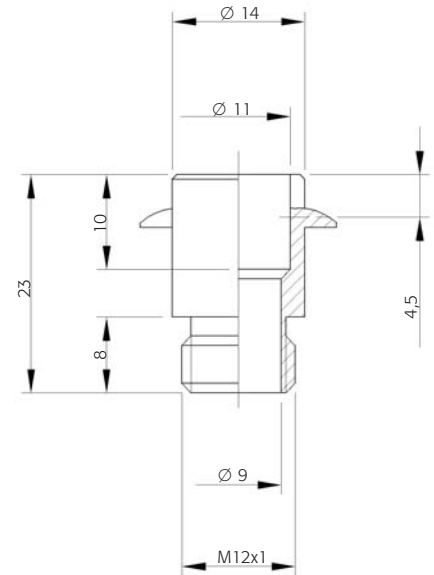
Nippel EN32 Ø 9 mm L 40 mm M12x1

Nipple EN32 Ø 9 mm L 40 mm M12x1
Raccord EN32 Ø 9 mm L 40 mm M12x1
Raccordo EN32 Ø 9 mm L 40 mm M12x1



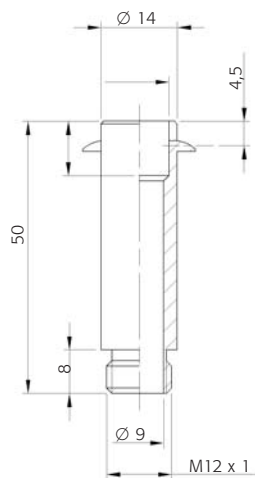
Nippel 32/25 Ø 9 mm L 23 mm M12x1

Nipple 32/25 Ø 9 mm L 23 mm M12x1
Raccord 32/25 Ø 9 mm L 23 mm M12x1
Raccordo 32/25 Ø 9 mm L 23 mm M12x1



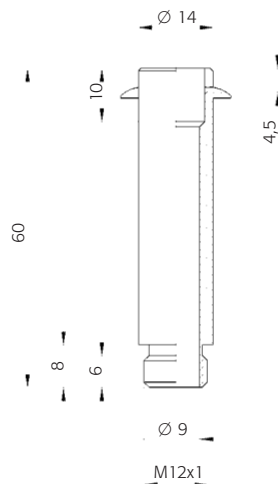
Nippel EN 32/50 Ø 12 mm L 23 mm M12x1

Nipple EN 32 Ø 12 mm L 23 mm M12x1
Raccord EN 32 Ø 12 mm L 23 mm M12x1
Raccordo EN 32 Ø 12 mm L 23 mm M12x1



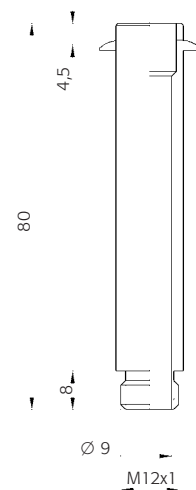
Nippel EN32/60 Ø 14 mm M12x1

Nipple EN32 Ø 14 mm M12x1
Raccord EN32 Ø 14 mm M12x1
Raccordo EN32 Ø 14 mm M12x1



Nippel EN 32/80 Ø 14 mm L 60 mm M12x1

Nipple EN 32 Ø 14 mm L 60 mm M12x1
Raccord EN 32 Ø 14 mm L 60 mm M12x1
Raccordo EN 32 Ø 14 mm L 60 mm M12x1



Nippel (Fortsetzung)

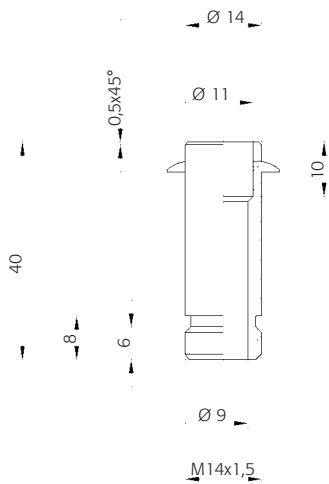
Nipple (continuation)

Raccord (suite)

Raccordo (seguito)

Nippel EN32 Ø 14 mm L 40 mm M14x1,5

Nipple EN32 Ø 14 mm L 40 mm M14x1,5
Raccord EN32 Ø 14 mm L 40 mm M14x1,5
Raccordo EN32 Ø 14 mm L 40 mm M14x1,5



Nippel EN33 L 23,5 mm G1/8

Nipple EN33 L 23,5 mm G1/8
Raccord EN33 L 23,5 mm G1/8
Raccordo EN33 L 23,5 mm G1/8

